

ENGLISH

Thank you for purchasing Parrot CK3000, the hands-free kit with voice recognition equipped with Bluetooth™ radio technology.

Parrot CK3000 offers you the following functions:

- Wireless radio connection with your telephone via Bluetooth;
- Full duplex hands-free conversation with echo cancellation and DSP;
- Background noise reduction;
- Voice recognition for up to 300 voice tags *;
- Automatic synchronization of your telephone directory *;
- Automatic mute of the car radio and connection to the speakers of your vehicle;
- Pairing of up to 3 phones.

* Only with specific phones

INSTALLATION

If your CK3000 was installed by a professional, go directly to the next section, the Connection Phase.

The CK3000 consists of an electronic control box, a microphone, a keypad with "On" and "Off" buttons and two ISO car radio connection harnesses.

Electronic control box:

Do not install the control box close to the heater or the air-conditioning system.

Protect the control box from direct sunlight. Avoid enclosing the unit inside of metal components - this will adversely affect the quality of the Bluetooth connection.

Microphone:

The microphone should be directed towards the driver and should preferably be installed in between the visor and rear-view mirror.

Keypad:

We recommend you install Keypad in an easily accessible place, preferably on a clean, flat surface.

Connect the Keypad to the connector provided on the mute cable.

Check that the red and green lights come on and go off according to the position of the ignition key.

Connecting the mute cable and power cable:

The mute cable is equipped with black ISO connectors.

The power cable is equipped with gray ISO connectors.

Car radio with ISO sockets:

Disconnect the car radio speaker and power harnesses.

Connect the mute cable and power cable female connectors to the car radio.

Connect the vehicle speaker and power harnesses to the male connectors.

If the car radio has a Mute input, connect the yellow wire on the mute cable to one of the "Mute in" inputs 1, 2 or 3.

Consult the car radio manual to determine the location of the mute input.

Important:

The red wire on the power cable must be connected to the 12V permanent, the orange wire to the 12V switched and the black wire to the ground.

Check the electrical diagram of the car radio's ISO power harness.

On some vehicles, the positions of the red and orange wires must be inverted. It is done by simply inverting the fuse holders.

Do not connect the orange wire to the 12V permanent, you run the risk of discharging the battery of the vehicle.

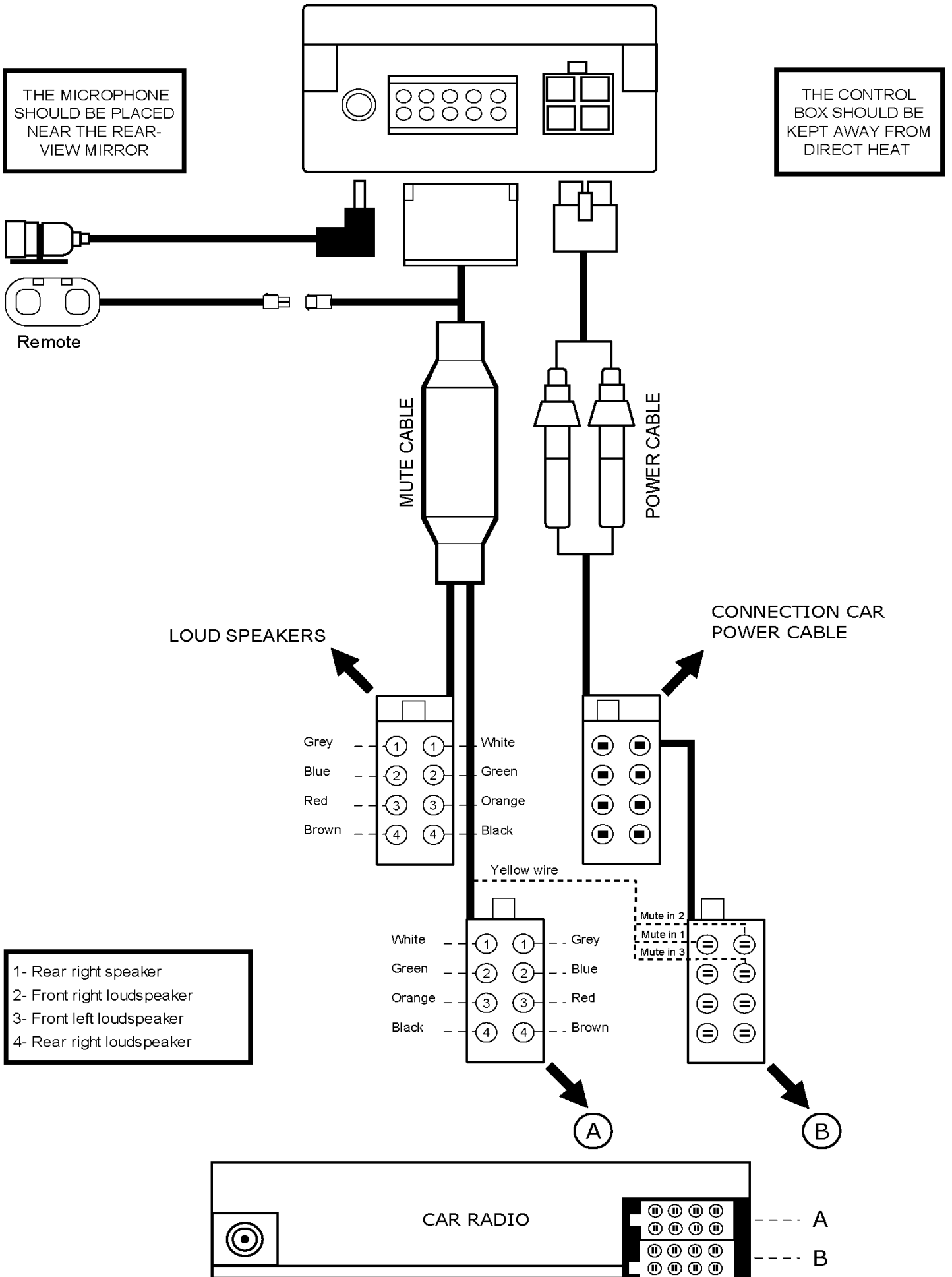
Car radio without ISO sockets:

A specific adapter harness for the vehicle (not supplied) may be used

If you do not have an adapter, connect the wires one by one.

If the car radio has a "mute" input, connect the yellow wire on the mute cable to it.

ENGLISH



IMPORTANT: CK3000 operates only when ignition is switched on. Both lights on a Keypad must be on.

IMPORTANT: Before using CK3000 you must pair it with your phone. See instructions below.

PAIRING WITH NOKIA 6310, 6310I, 8910, 8910I, 6650 AND 7600

Switch on your phone, turn the key in the car ignition and two indicator lights on the keypad should light up to indicate your hands-free is powered up. Now carry out the following sequence on your phone.

Access the Menu and scroll ∇ to "Bluetooth", press "Select". Find "On" to activate Bluetooth.

∇ To "Search for audio accessories", press Select.

The display reads "Searching for devices". Please wait.

The display reads "Parrot CK v...", press "Select" to make the connection.

The display reads, "Enter password", enter 1234 then " Select".

From now on, when you press the keys on your phone, you should hear the sound coming through your vehicle loudspeakers.

After getting into your car and turning of the ignition key, your telephone should ask you whether you wish to establish the Bluetooth connection with CK3000. If you want to, you can disable this function. To do that, go into the Menu, and select "Bluetooth" using the up and down buttons. Then, scroll until "view paired devices", press "Select". <Parrot CK3000> appears, click on "Options". Scroll until «Request conn. Authorisation», enter «Select».

For more information, consult your Nokia phone user's guide.

LEARNING NAMES

To assign a voice tag to a name, access your directory by scrolling with the \uparrow or ∇ keys. Find the desired name and click on "Details", then "Options". Find "Add voice tag" and click on "Select".

The following message is displayed: "Press Start then speak after the tone".

Then press "Start" and say the name.

To remove the voice tag for any name, access your directory by scrolling through the \uparrow or ∇ keys and click on "Details", then "Options". Find "Voice tag" and click "Select".

By clicking "Change", you can re-record over the voice tag.

By clicking "Erase", you will delete the previous voice tag recording.

COMMUNICATING**Making a call using the voice recognition*:**

- Press the green button and wait for the tone, then say the name of the person you want to call.

Example: press green button, [beep], Nicholas.

* 10 In-phone Voice Tags only. Limited by Nokia software.

Making a call manually:

Use the phone keypad to dial the number. Your call will be connected automatically, in hands-free mode. The keypad, supplied with CK3000, is your principal tool for making and receiving calls.

To redial last number called:

- Press and hold green button.

Answering a call:

- Press green button to answer.
- Press red button if you do not want to receive a call, the caller will then be forwarded to your voice mail.

Managing two incoming calls:

- A warning tone will alert you if someone is trying to get through while you are engaged on another phone call.
- Press green button once to communicate with a new caller.
- Press green button once to return to your first caller.
- To end the communication, press red button once.

Adjusting the volume:

Use the keys on the handset to adjust the volume of the conversation.

Private mode:

Press the green button briefly to switch the conversation to hands-free or handset mode. You are also able to activate the Private mode on the phone. Refer to the manual for your handset.

PAIRING WITH NOKIA 3650, 3600, N-GAGE, 6600 AND SIEMENS SX1

You need to pair devices when powering up the CK3000 for the first time or after resetting your hands-free. Subsequently, all connections between your phone and the car kit are automatically established when both devices are within a few meters range of each other. A 'beep' is heard when the connection is established.

Procedure :

Check that the red and green lights of the buttons come on and off according to the position of the ignition key. You should hear the « Please pair device » instruction for the first time. If not, reset your CK3000 by pressing the green and the red buttons at the same time.

- From your phone, display the main menu, select :
 - the CONNECTIVITY icon, then the BLUETOOTH icon for Nokia 3650, 3600, 6600 and Siemens SX1
 - the TOOLS icon, then the BLUETOOTH icon for Nokia N-GAGE
- Check that BLUETOOTH is ON, select the PAIRED DEVICES tab by pressing the right arrow, press OPTIONS.
- Select NEW PAIRED DEVICE (searching).
- Press STOP, Select Parrot CK V... (waiting).
- Enter 1234 as PASSCODE, press OK.

After the 'beep', accept the connection request by pressing YES.

After getting into your car and turning of the ignition key, your telephone may ask you whether you wish to establish the Bluetooth connection with CK3000. If you want to, you can disable this function :
In the BLUETOOTH menu, go in the PAIRED DEVICES tab by pressing the right arrow
Select « Parrot CK v... » and then OPTIONS
Then, select SET AS AUTHORISED

USING PHONE-SPECIFIC FEATURES

Redialing:

- Press and hold the PICK UP (green) button on the keypad unit for 2 seconds to redial the last number called.

Dual call:

- Upon hearing a 'beep' during a call, press the PICK UP (green) button on the keypad. The active call is placed on hold while the waiting call is accepted.
- Press the PICK UP button again to switch between the two calls.
- Press the HANG UP button on to reject the waiting call.

Private mode:

- During the call, press the PICK UP button on the CK3000 to toggle between hands-free and private mode. Private mode routes the call to the phone.

Auto Answer:

- From your phone, display the main menu, select the TOOLS icon.
- Select SETTINGS, and then select :
 - ACCESSORY icon for Nokia 3650, 3600, 6600 and Siemens SX1
 - ENHANCEMENT icon for Nokia N-GAGE
- Select HANDSFREE, AUTOMATIC ANSWER, select OPTIONS, select CHANGE, select ON, press OK.

NOTE: Make sure the Bluetooth option is turned ON.

TRAINING NAMES

Your phone lets you assign voice tags to any phonebook entry. With the CK3000, you can use those tags to call your contacts, press the PICK UP button and say the name after hearing the 'beep'.

Training Names

- From your phone, display the main menu, select the CONTACTS icon.
- From the phonebook list, select the name you wish to train, press OPTIONS.
- Select OPEN, press SELECT.
- Select the phone number you wish to train, and then select OPTIONS, select ADD VOICE TAG, press SELECT.
- Press START and say the name displayed.

Refer to your phone manual for details on how to edit the voice tags.

PAIRING WITH PHILIPS FISIO 820 AND 825

You need to pair devices when powering up the CK3000 for the first time or after resetting your hands-free. Subsequently, all connections between your phone and the car kit are automatically established when both devices are within a few meters range of each other. A 'beep' is heard when the connection is established.

Procedure :

Click on the "Menu" key on your telephone.

For the Fio 820, Press the → key until "Settings", confirm.

→ Press the → key until "Accessories", confirm.

For the Fio 825, press the → key until "Bluetooth", confirm.

"Bluetooth Headset" is displayed; confirm by pressing 5.

"Detect" is displayed, confirm by pressing 5,

"Parrot CK v..." is displayed, press 5.

"Detection" is displayed, wait.

"Pairing" appears at the top of the screen of your telephone.

Enter the pairing password 1234 then press OK.

The pairing process shall be confirmed by a 'beep' sound.

For more information, consult your Philips phone user's guide.

COMMUNICATING

Making a call using the voice recognition*:

Press CK3000 green key, you shall hear beeps from the car kit and from the phone. You should then say your contact's name.

Example: Press the green key [CK3000 beeps, telephone beeps], Nicolas.

* 40 In-phone voice tags only. Limited by Philips software.

Making a call manually:

Dial the number on the telephone's keyboard.

For the Fio 820, the call must be switched to hands-free mode manually. During the call, press ⓪, followed by ←, select "On the headset" and then confirm.

For the Fio 825, you have the option of switching the call to hands-free mode before making the call. Dial the number, press ⓪, until "Headset call" and then confirm.

The volume can be altered using the phone's menu.

Answering a call:

Press the green button if you want to pick-up the incoming call.

Press the red button if you do not want to receive the incoming call. It will be forwarded to your voice mail.

Adjusting the volume:

Use the keys on the handset to adjust the volume of the conversation.

Private mode:

Press the key in the middle ⓪ then → until "On the headset", then Select.

PAIRING WITH SIEMENS S55, S56

You need to pair devices when powering up the CK3000 for the first time or after resetting your hands-free. Subsequently, all connections between your phone and the car kit are automatically established when both devices are within a few meters range of each other. A 'beep' is heard when the connection is established.

Procedure :

Go to Menu, ► Settings and confirm with "Select".

▼ "Mod/Data", confirm with "Select", ▼ "Bluetooth", and click on "Options".

If Bluetooth is activated, "BT activated" is displayed.

If Bluetooth is deactivated, "Activate BT" is displayed. "Select" to activate this function.

▼ Search and confirm with "Access". Wait until:

"1 Found", followed by "Parrot CK v..." are displayed, confirm with "Select".

«Enter BT Pin for Parrot CK» is displayed, enter 1234, press "Select"

«Hands-free trusted» is displayed to indicate that the pairing has been completed successfully.

IMPORTANT : If the phone does NOT display the message "Handsfree trusted" at the end of the pairing procedure, this procedure have to be repeated again. You should start with a memory erasing of the CK3000 by pressing both buttons for 2 seconds and the erasing of the paired device in the list of "Known devices" in the "Bluetooth" menu.

LEARNING NAMES IN THE CK3000

Attention : If you prefer to use the voice recognition of your phone (limited to 15 voice tags), don't follow this procedure and record your voice tags directly from your phone menus.

Hold the red button : your directory is displayed on the handset screen.

Select a name and click on "Select". Follow the vocal prompts.

COMMUNICATING

Making a call using voice recognition:

Press the green key briefly, [Beep], and then say a name

Example: Press the green key [CK3000 beeps, telephone beeps], Nicolas.

Making a call manually:

Dial the number directly on the handset ; Press the green button to switch the conversation to hands-free mode.

To redial last number called:

To redial the last number called, hold the green button

Answering a call:

Press the green button if you want to pick-up the incoming call.

Press the red button if you do not want to receive the incoming call. It will be forwarded to your voice mail.

Managing two incoming calls:

A warning tone will alert you if someone is trying to call you while you are on another call.

Press the green button once to pick up the new call.

Press the green button once again to return to the first call.

To end the call, press the red button once

Adjusting the volume:

Use the keys on the handset to adjust the volume of the conversation.

Private mode:

Press the green button briefly to switch the conversation to hands-free or handset mode.

For more information, consult your Siemens phone user's guide.

**PAIRING WITH ERICSSON R520M ,T39/T39M,T68/T68M
AND SONY ERICSSON T68I**

You need to pair devices when powering up the CK3000 for the first time or after resetting your hands-free. Subsequently, all connections between your phone and the car kit are automatically established when both devices are within a few meters range of each other. A 'beep' is heard when the connection is established.

Procedure :

IMPORTANT: for Ericsson T39/T39m, R520m, T68/T68m and SonyEricsson T68i, the infrared (IrDA) sensor has to be disabled for CK3000 to operate. Comply with the following recommendations: Go into the Menu, go to "Extras" or "Connect"; ↓ until " Infrared port", press "Yes", then ↓ until "Disabled" and confirm by pressing "Yes".

After turning on the ignition of your car, carry out the following sequence for Ericsson R520m, T68/T68m and T39/T39m telephones.

- For the T68/T68m and T68i, go to "Connect", then "Bluetooth", then follow the instructions below.
- For the R520 and the T39/T39m, press → until "Extras", then ↓ until "Bluetooth" and press "Yes".

Press ↓ until "Paired devices", press Yes.

Press "Add device", and "Yes ". Select "Phone initiates", press "Yes" then press ↓ and select "Headsets" or "Handsfree", press "Yes", then "Prepare headset" is displayed.

"Searching" is displayed.

When "Parrot CK v..." is displayed, click on "Yes".

"Add to Parrot devices" - press "Yes".

"Connection key" or "Enter Password" is displayed, enter 1234, then press "Yes".

The connection phase is now complete and "Pairing succeeded" is displayed on your screen.

Then press "Yes" to validate the name of your new paired device.

For phones with "Handsfree" profile, the initial synchronization is manual (see "Phone configuration" page 12). Please, go to the phone Menu → "Connect" → "Accessories". Press "Yes" and "Parrot Menu" is displayed. Press "Yes" and your phonebook will synchronize with CK3000.

ENGLISH

PAIRING WITH SONY ERICSSON T610, T616, T618, Z600 AND Z608

You need to pair devices when powering up CK3000 for the first time or after resetting your hands free. Subsequently, all connections between your phone and the car kit are automatically established when both devices are within a few meters range of each other. A 'beep' is heard when the connection is established.

Procedure :

IMPORTANT: Check that the lights on the red and green buttons come on and off according to the position of the ignition key. With these phones, it is necessary to deactivate the infrared link (IrDA) for the CK3000 to work. Proceed according to the following steps

Connections, Activation IR, select "Deactivate" and validate by clicking on " Selection".

Your phone is on. Turn on the ignition key. Proceed with the following sequence to do the pairing

- Select " Connections", then "Bluetooth".
- The pairing is done through "HandsFree" or "My Peripherals"
- Select "Handsfree", validate by clicking on "Selection"
- "Add a handsfree device?" is indicated on the display, validate with "Yes"
- or alternatively, Select "My Peripherals", validate by clicking on "Selection"
- New Peripheral, click on "Add"
- "Check if the Handsfree is in the correct mode and if you have the passkey", OK
- "Searching for handsfree devices" is displayed, just wait.
- The phone looks for all devices equipped with a handsfree profile.
- Then, " Parrot CK v..." is displayed, validate by clicking on selection
- Enter 1234 as passkey, click OK.
- The pairing phase comes to an end and "Parrot CK V...added to my peripherals" is displayed.

Using Phone-specific Features

To synchronize your phonebook to your CK3000, follow the steps hereafter:

Connections, Accessories, Parrot Menu.

For detailed instructions, consult the user's guide of the phone.

LEARNING NAMES

In order to assign voice tags to the names in your phonebook, go into your phone menu and follow the instructions below in order to go to the "Parrot Menu". Enter the menu and select "Phone book". You will see the list of your phone book entries. To create a voice tag, highlight the desired name and press "Yes". You'll hear vocal prompt saying "Click on "Yes" and say the name displayed". Repeat the procedure as prompted. The voice tagged numbers will be preceded by an asterisk (*).

WARNING!

Correct recording of the voice tags is very important. The reliability of the voice dialing system depends of the standard of the recording. To obtain optimum operation, please, comply with these recommendations:

Speak out clearly and naturally.
 Make the recording in quiet place.
 Turn off your engine, radio and ventilation.
 Close the doors and windows.

Example:

Go to Main Menu, Phonebook, List and click on Yes and choose the name you'd like to add as a voice tag.

You will hear a prompt: "Click on Yes, and say the name displayed".

Press "Yes" and say: "Nicolas". The system repeats: "Click on Yes, and repeat "Nicolas".

You press "Yes" again and repeat: "Nicolas".

IMPORTANT: If CK3000 says, «Speak louder», you need to clearly repeat the name after a beep. For the best results pronunciation should be as close to the pre-recorded voice tag as possible.

COMMUNICATING

Making a call using voice recognition:

Press the CK3000 green key, you shall hear a beep from the car kit and from the telephone, you should then say your contact's name.

Example: Press the green key [CK3000 beeps, telephone beeps], Nicholas;

To hang up, press the red key.

To make a call using "Wordspotting" option (must be activated, see Parrot Menu, Voice Recognition):

Say: "Telephone", wait for the beep, and pronounce the name of the person you wish to call.

Example: "Telephone, {beep}, Nicolas".

If there are several numbers stored in memory for the same name (visiting card or V-card), the call, using voice recognition, will be placed in the following manner:

Say: "Telephone", wait for the beep, and pronounce the name of the person you wish to call. CK3000 repeats the name, and then emits a beep; you must then indicate the number to be dialled, "Home", "Work" or "Cellular".

You must wait for a beep after every word.

Example: "Telephone, {beep}, Nicolas, {beep}, cellular".

To end the call, say "Hang up"

Making a call manually:

Dial the number on the telephone keypad. Your call will be automatically transferred to CK3000.

To redial last number called:

Press and hold the green button

Answering a call :

Ericsson and Sony Ericsson phones use two ways to answer the incoming call:

- 1 Keypad
 - To call or to answer a call press the green key
 - To hang up press the red key
- 2 Keywords ("Wordspotting" function activated)
 - To call or answer a call, say "Telephone"
 - To hang up say "Hang up"

Other words convenient to you maybe used in place of "Telephone" and "Hang up".

Using the "Wordspotting" option :

Say "Telephone" to pick up the call. If you do not want to accept the call, say "Hang Up".

Manually :

Press the green key to pick up call. If you do not want to accept the call, press the red key.
If you are in an "Automatic answer" mode, the call will come through automatically after 2 rings.

Managing two incoming calls :

A warning tone will alert you if someone is trying to call you while you are on another call.
Press the green button once to pick up the new call.
Press the green button once again to return to the first call.
To end the call, press the red button once.

Adjusting the volume :

Use the keys on the handset to adjust the volume of the conversation.

Private mode :

You can activate Private mode and transfer the conversation from CK3000 to the phone. This can be done during a call :

- Go to Menu to "Calls", "Yes" and press ↓ until "Transfer sound": press "Yes".
"Retrieve call in phone?" is displayed. Press "Yes".
The call comes back on your mobile.
- You can also press the green button to transfer the conversation to your handset. Press the green button to return the conversation to hands-free mode. (This function is only available with handsets equipped with the "handsfree" profile - see "Phone configuration" page 12).

IMPORTANT :

1 - If in making a call manually with T68i, the communication takes place through the handset, the telephone must be configured so that all calls dialed manually are automatically in hands-free mode.

Select "Connect" in the phone's menu.

↓ Until "Bluetooth", click on "Yes". ↓ Until "Options", click on "Yes".

↓ Until "Ear piece sound" confirm by "Yes", select "Ear piece" and confirm by "Yes".

2 - If, in addition to CK3000, there is another headset paired with your T68i (and your phone is configured in "Headset" profile - see "Phone configuration" page 11)., you must configure your telephone so that CK3000 could receive the incoming calls.

In order to do this, go to "Connect" in the menu,

↓ Until "Bluetooth", click "Yes".

↓ Until "Paired Devices", confirm by "Yes". Select "Parrot CK v...".

↓ Until "Set as first", confirm by "Yes".

PHONE CONFIGURATION

Learning about your phone's firmware

The firmware determines the profile supported by your phone. Follow the sequence to learn what firmware version you have:

From the phone's splash screen, using the JOYSTICK, press once to the right.

Press STAR, press the JOYSTICK twice to the left, press STAR.

Press the JOYSTICK once to the left, press STAR.

Select the SERVICE INFO option from the hidden SERVICE menu. Press YES.

Select the SOFTWARE INFO option, press YES. The firmware version is the first information displayed.

“Headset” and “Handsfree” Bluetooth profiles

The advantages of the use of the Headset profile are :

- Bluetooth link connected only during the calls (low power consumption for the battery)
- Availability of the "MultiTel" option (see details on "MultiTel" option below)

The advantages of the use of the HandsFree profile are :

- Use of the vocal recognition of the phone (no voice tags in the CK3000)
- Three-way calling and Private mode transfers by using the green button
- Use of several CK3000s/BT audio devices with the same handset (no need to select the "Set as First" before using the CK3000)

The T68i phone possess the handsfree profile in addition to the headset profile with firmware equal to R5C or higher.

All the firmwares of the following phones possess the “handsfree” and “headset” profiles : T610, T616, T618, Z600 and Z608.

The handsfree profile will be used as a default with the CK3000.

A new feature appeared on the latest versions of Sony Ericsson phones, allowing the support of either the “handsfree” or the “headset” profile : the “Car Handsfree” feature.

“Car Handsfree”

A new function called “Car Handsfree” is available for the following phones :

- T68i phones with the software version R8A015 or later
- T610/T618 phones with the software version R1L013 or later
- T616 phones with all software versions
- Z600 phones with the software version R2D001 or later
- Z608 phones with the software version R2E004 or later

“Car Handsfree” enables the phone to be compatible to the “Headset” profile or to the “HandsFree” profile (menu “Connections”, then “Bluetooth”, then “Options”).

In order to choose between “Headset” and “HandsFree”, select the corresponding profile in the “Car Handsfree” menu.

The mode “Powersave” activates the Headset profile.

The mode “Advanced” activates the HandsFree profile.

MENU

The Main Menu consists of the following 4 sections:

"Phone Book", "Parameters", "Keywords" and "Reset memory". You can access the menu items by selecting the desired menu item using the ↓ key and confirm by pressing "Yes".

In the phone Menu go to "Extras" for T39/T39m/R520m, or "Connect" for T68/T68m/T68i/T610/T616/T618/Z600/Z608.

Press ↓ Until "Accessories" and press on «Yes».

"Parrot Menu" is displayed, click "Yes"; menu headings are displayed.

Phone book:

- **List**: Displays the list of names in your phone book. Names with associated active voice tags are preceded by an asterisk (*).
- **To learn or relearn** a name, highlight the desired name and press "Yes" to confirm.
- **Search**: allows you to look for a name by its first letter(s). To do this, type a letter and confirm by pressing "Yes".

Parameters:

- **Volume**: This function adjusts the volume of CK3000. Click Yes and adjust using ← or →. Press "Yes" to confirm.
- **Auto answer**: This function enables or disables automatic answering of incoming calls. Click "Yes", and then select "Enable" or "Disable".
- **User**: When several telephones are connected to CK3000, this function identifies the telephone with priority. The phone with the highest priority is the first phone to which the kit tries to connect to.
 - Click Yes, "Main user?" is displayed, confirm.
- **Caller ID**: This function lets you know the identity of the caller. With this function enabled, when you receive a call, the name of the person calling you is pronounced if it is already stored in your phone book and corresponding voice tag is assigned. Click Yes and select "Enable" or "Disable".
- **Multi-tel**: This function is available for Ericsson and Sony Ericsson phones equipped only with the "Headset" profile. The affected phones are Ericsson R520, T39, T68m and the first Sony Ericsson T68i phones (software version lower than R2E). This option allows the simultaneous use of these different phones during a single session of use. The first phone getting connected to the CK3000 is the main phone for the use session of the car-kit (until extinction). If the option "Multi-Tel" is activated for this phone, the CK3000 will accept incoming calls from the other phones if they were previously paired with the CK3000.

ATTENTION : The "Multi-Tel" function is now compatible with the T68i, T610, T616, T618, Z600 and Z608 (with specific software versions - see "Phone configuration" page 12). This function is available when the "Powersave" mode is activated in the phone, i.e. "Headset" profile mode (see "Phone configuration" page 12). Once this mode activated, the CK3000 has to identify every phone in this new mode. It should be necessary to connect separately each phone with the CK3000 and restarting it between each identification.

Voice recognition:

- **Tel N°**: Keywords for calling V-Cards ("Home", "Work" and "Cellular") can be accessed by clicking "Yes", Tel. N°. The voice recognition learning sequence is exactly the same as the one for the names.
- **Keywords**: Key words are "Phone" and "Hang Up". You need to record your own keywords for use with "Wordspotting" option.
- **Wordspotting**: If activated, enables use of keywords to make a call and to hang up.
 - Activated: use keywords or buttons
 - Deactivated: use buttons only
- **Pers. Dic**: The keywords are pre-recorded in the car kit for French language only (the language is determined by the language used by the menus of the phone). You need to activate this option if you want to use your own recorded keywords.

Erasing the Memory:

Click "Yes", and "Clear memory?" is displayed.

Confirm by pressing "Yes" and "Memory erasing in progress. Please wait!" - is announced. To cancel, press "No".

It is possible to erase the memory and reset the system without using the Parrot menu. To do this, hold the red and the green buttons together.

For more information, refer to the instructions of your Ericsson or Sony Ericsson user's guide.

TROUBLESHOOTING

PROBLEMS	SOLUTIONS
Your telephone does not detect the hands-free kit	Switch off your telephone, and then switch it back on again. Check that the Bluetooth connection of your telephone is enabled*.
Your telephone is not detected.	Repeat the connection phase.
Your telephone does not detect the hands-free kit	Switch off your telephone, then switch it on again. Check that the Bluetooth connection of your telephone is enabled*.
Your telephone is detected too slowly when switched on.	Make yourself the main user. See the section "Menu Mode ", "Parameters", "User".
The person you are calling complains of an echo during communication.	Reduce the communication volume.

*Refer to the manual of your phone, if necessary.

PAIRING WITH SONY ERICSSON P800 AND P900

You need to pair devices when powering up the CK3000 for the first time or after resetting your hands-free. Subsequently, all connections between your phone and the car kit are automatically established when both devices are within a few meters range of each other. A 'beep' is heard when the connection is established.

Procedure :

Check that the lights on the red and green buttons come on and off according to the position of the ignition key. You should hear the « Please pair device » instruction for the first time. If not, reset your CK3000 by pressing the green and red button at the same time.

- From your phone, open the lid, select the BLUETOOTH icon in the task bar.
- Click SETTINGS, click ADD, (searching).
- Select the CK3000 icon (bonding in progress).
- Enter 1234 as PASSKEY, click DONE.
- "Parrot CK V..." is displayed in the BLUETOOTH DEVICES list. Click DONE

Known issues with this phone: When finished pairing, wait for the 'beep' prior to initiating a call.

USING PHONE-SPECIFIC FEATURES

Your phone provides phone management and settings from its accessories menu. Also refer to the Standard Features section.

Auto Answer:

- From your phone, open the lid, select the PHONE shortcut.
- Click the EDIT option, click PREFERENCES.
- Click HANDSFREE, select AFTER 5 SECONDS from ANSWERING MODE list.
- Escape by clicking DONE several times.

Training names :

Your phone lets you assign voice tags to any phonebook entry. With Parrot CK3000, you can use those tags to call your contacts, press the PICK UP button and say the name after hearing the 'beep'.

- From your phone, open the lid, select the PHONEBOOK shortcut.
- Select a name from the list, click the EDIT option, click EDIT CONTACT.
- Click the VOICE DIALING shortcut, click RECORD, and speak after the tone.
- Escape by clicking DONE several times

Training names: Record while holding the phone to your ear.

Answer/Busy voice commands :

Your phone lets you pick up or reject incoming calls using vocal commands. You must record the two vocal commands corresponding respectively to "Answer" and "Busy".

You must first activate the answer/busy voice commands with the following steps:

- From your phone, open the lid, select the TELEPHONE icon in the toolbar.
- In the EDIT menu, select PREFERENCES.
- In the VOICE CONTROL item, activate the option VOICE ANSWER.

Answer/Busy voice commands : Please note that, when this option is activated, you will not hear the rings from incoming calls from the kit, but only from the telephone itself. Rings from the kit are deactivated to let you use the voice commands option.

Caller ID

During an incoming call, your phone can identify and say the name of the caller if the phone number of the incoming call has been first recorded in the phonebook and associated with a voice tag.

You must first activate the caller ID option with the following steps:

- From your phone, open the lid, select the TELEPHONE icon in the toolbar.
- In the EDIT menu, select PREFERENCES.
- In the VOICE CONTROL item, activate the option PLAY CALLER NAME

Caller ID : Please note that, when this option is activated, you will not hear the rings from incoming calls from the kit, but only from the telephone itself. Rings from the kit are deactivated to let you hear the voice tag.

PAIRING WITH PANASONIC X70

You need to pair devices when powering up CK3000 for the first time or after resetting your hands free. Subsequently, all connections between your phone and the car kit are automatically established when both devices are within a few meters range of each other. A 'beep' is heard when the connection is established.

Procedure :

Switch on your phone, turn the key in the car ignition and two indicator lights on the keypad should light up to indicate your hands-free is powered up. Now carry out the following sequence on your phone.

Access the Menu and select "Organizer", press "Select".

Go to "Connect" and press "Select".

Enter "Bluetooth" menu.

Then enter "On/Off" menu.

Select "On" if it is not selected yet.

Get back to the "Bluetooth" menu by pressing ←.

Select "Discover & Pair"

When the search is finished, select "Parrot CK v...". Press "Pair".

The display reads, "Bluetooth passkey", enter 1234 then "OK".

LEARNING NAMES

Before assigning voice tags to names, you must activate the Voice Dialing on your phone.

Enter the menu and select "Contacts List".

Enter "Settings" and select "Voice Dial".

Select "On" if it is not selected yet.

To assign a voice tag to a name, enter the menu and select "Contacts List".

Enter "Voice Dial" and press « Menu »

Select "Add"

Find the desired name and click on "Menu", then "Recall".

The following message is displayed: "Please Record Your Voice !".

Press "OK". The phone displays "Voice Dial Recording". Say the name.

After you said the name, "Please Record Your Voice Again !" is displayed.

Press "OK" and say the name again.

If the recording succeeds, the phone displays "Voice Dial Set". If not, the phone will ask you to say the name again.

To remove the voice tag for any name, access the menu and select "Contacts List"

Enter the "Voice Dial" menu and select the name.

Press "Menu"

By clicking "Play", you can listen to the voice tag.

By clicking "Delete", you will delete the voice tag.

COMMUNICATING**Making a call using the voice recognition:**

Before using the voice recognition, make sure it is activated in your phone and voice tags are recorded. (see "Learning names" for more information)

- Press the green button and wait for the tone, then say the name of the person you want to call.

Example: press green button, [beep], Nicholas.

Making a call manually:

Use the phone keypad to dial the number. When the call is started, press the green button on the CK3000 keypad to switch the call in hands-free mode.

To redial last number called:

- Press and hold green button.

Answering a call:

- Press green button to answer.
- Press red button if you do not want to receive a call, the caller will then be forwarded to your voice mail.

Managing two incoming calls:

- A warning tone will alert you if someone is trying to get through while you are engaged on another phone call.
- Press green button once to communicate with a new caller.
- Press green button once to return to your first caller.
- To end the communication, press red button once.

Adjusting the volume:

Use the keys on the handset to adjust the volume of the conversation.

Private mode:

In communication, press the green button briefly to switch the conversation to hands-free or handset mode.

RESETTING

*RESETTING CK3000 IS DONE BY PRESSING GREEN AND RED BUTTONS AT THE SAME TIME.
THAT APPLIES TO ALL PHONES.*

CAUTION: Resetting the system will entail a new pairing phase and erase all memory.